

BL1520

2" x 2" Back Light

Aii 50mm x 50mm area of illumination

Aii Low profile housing



Ordering Information

Standard Product:
Shipped Next Day

BL1520-660

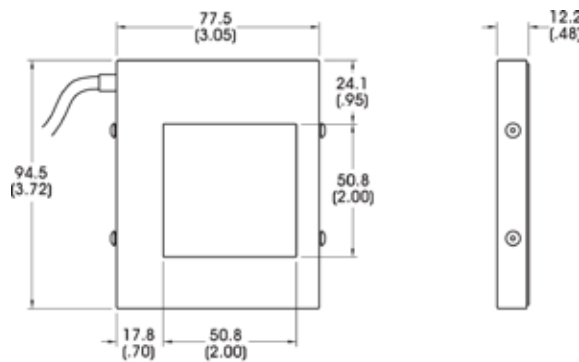
P/N: BL1520-660
Configured for use with an
Aii power supply.

Standard Product Variation:
Shipped Within Two Weeks

		Spectral wavelength		Optional power Compatibility
BL1520	-	XXX		XX
		(blue) 470†		12
		(green) 520†		24
		(yellow) 590		
		(orange) 625		
		(red) 660		
		(infra-red) 880†		
		(White) WHI		

† Not available in 12v

Dimensional Information



DIMENSIONS ARE IN MILLIMETERS (INCHES)

Standard Variation Current Specifications

	blue	green	yellow	orange	red	infra-red	white	RGB	
@12	N/A	N/A	80	80	120	130	N/A	N/A	mA
@24	75	75	40	40	60	80	75	N/A	mA

Standard Product Information

Product Lifetime:	100,000 hours
Operating Temperature:	0-65° C