



BL41192

6" x 8" Back Light

Aii 150mm x 200mm area of illumination

Aii Low profile housing



Ordering Information

Standard Product:
Shipped Next Day

Standard Product Variation:
Shipped Within Two Weeks

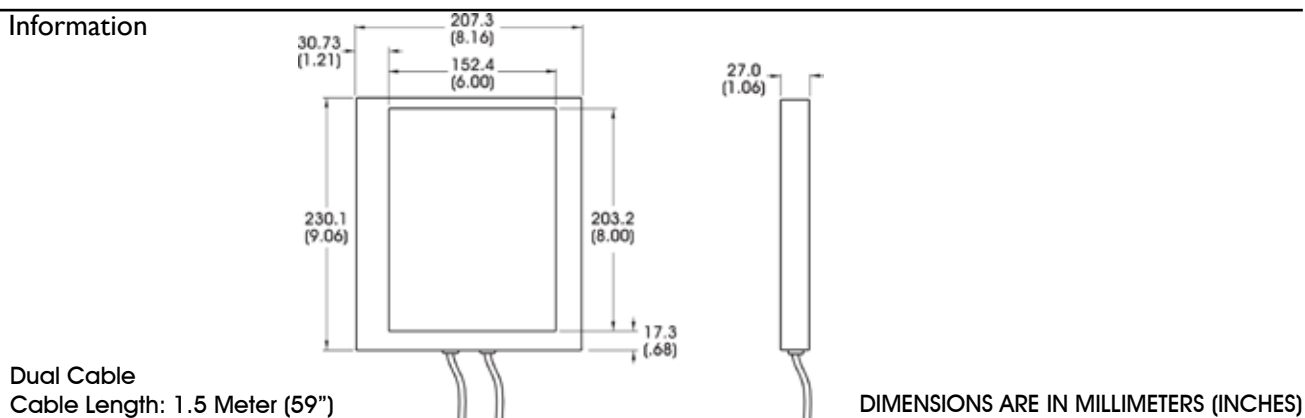
BL41192-660

P/N: BL41192-660
Configured for use with an
Ai power supply.

| | | | |
|-----------|--------------------------|----|---------------------------------|
| | Spectral wavelength | | Optional power Compatibility |
| BL41192 - | XXX | XX | |
| | (blue) 470 [†] | | 12 |
| | (green) 520 [†] | | 24 |
| | (yellow) 590 | | |
| | (orange) 625 | | |
| | (red) 660 | | |
| | (infra-red) 880 | | |
| | (White) WHI [†] | | |

[†] Not available in 12v

Dimensional Information



Standard Variation Current Specifications

| | blue | green | yellow | orange | red | infra-red | white | RGB | |
|-----|------|-------|--------|--------|-----|-----------|-------|-----|----|
| @12 | N/A | N/A | 640 | 640 | 960 | 720 | N/A | N/A | mA |
| @24 | 640 | 640 | 320 | 320 | 480 | 360 | 640 | N/A | mA |

Standard Product Information

| | |
|------------------------|--------------|
| Product Lifetime: | 50,000 hours |
| Operating Temperature: | 0-60° C |