

BL47192

8" x 8" Back Light

Aii 200mm x 200mm area of illumination

Aii Low profile housing



Ordering Information

Standard Product:
Shipped Next Day

BL47192-660

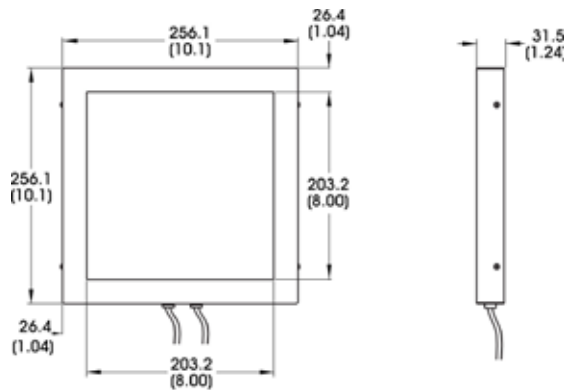
P/N: BL47192-660
Configured for use with an
Ai power supply.

Standard Product Variation:
Shipped Within Two Weeks

		Spectral wavelength		Optional power Compatibility
BL47192	-	XXX		XX
		(blue) 470 [†]		12
		(green) 520 [†]		24
		(yellow) 590		
		(orange) 625		
		(red) 660		
		(infra-red) 880		
		(White) WHI [†]		

[†] Not available in 12v

Dimensional Information



Dual Cable
Cable Length: 1.5 Meter (59")

DIMENSIONS ARE IN MILLIMETERS (INCHES)

Standard Variation Current Specifications

	blue	green	yellow	orange	red	infra-red	white	RGB	
@12	N/A	N/A	640	640	960	720	N/A	N/A	mA
@24	640	640	320	320	480	360	640	N/A	mA

Standard Product Information

Product Lifetime:	50,000 hours
Operating Temperature:	0-60° C