

CS100

Single Output Constant Current Source

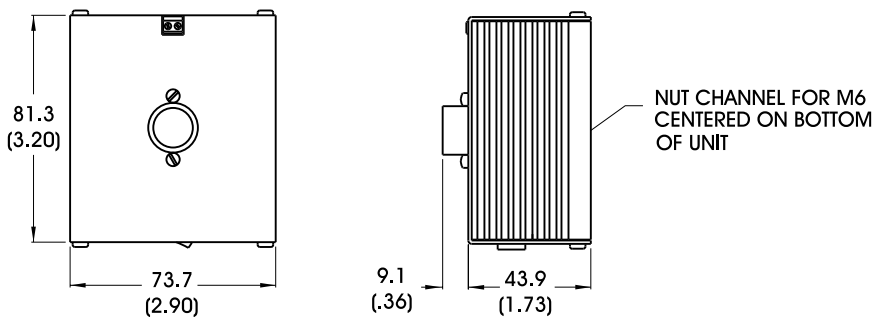


- Aii** A true constant current device, providing consistent, optimized power levels.
- Aii** Signatech signature recognition technology detects the attached light head and sets optimal current levels automatically.

Ordering Information

Standard Product: Shipped Next Day CS100 P/N: CS100	Standard Product Variation: Shipped Next Day CS100 - XX IC
---	---

Dimensional Information



Additional Information

Power Requirements:
1Amp @ 24vDC

Optional Power Supply:
Shipped Next Day

P/N: PS-24TL
Description: 24volt power source with tinned leads

Standard Product Information

Operating Temperature: 0-40°C

CE Meets CE standards