

# EL163

## Line Light



- Aii** Designed for use with line scan cameras
- Aii** Available in 38mm (1.5") increments up to 80"

### Ordering Information

Standard Product Variation:  
Shipped Within Three Weeks

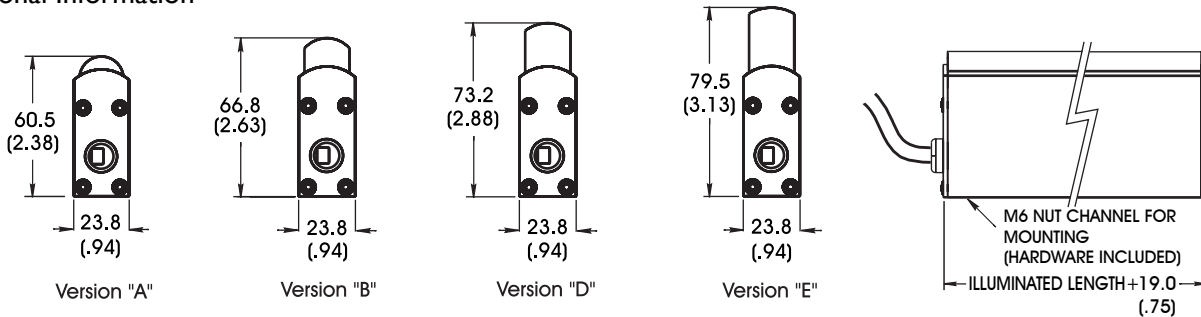
Lighted Length (# of LEDs)	Lens Type	Spectral wavelength	Optional power Compatibility
EL163 XXX	X	- XXX	XX
6 LEDs = 38mm (1.5")	A (blue)	470†	12
	B (green)	520†	24
	D (yellow)	590	
	E (orange)	625	
	(red)	660	
	(infra-red)	880	
	(white)	WHI†	

† Not available in 12v

### Lens & Aiming Information

	Lens Type A	Lens Type B	Lens Type D	Lens Type E
Working Distance	25mm	50mm	75mm	125mm
Line Width	6mm	9.5mm	13mm	16mm

### Dimensional Information



Cable Length: 1.5 Meter (59")

DIMENSIONS ARE IN MILLIMETERS (INCHES)

### Current Specifications

Maximum draw per 38mm (1.5") length

	blue	green	yellow	orange	red	infra-red	white	RGB	
@12	N/A	N/A	60	60	60	60	N/A	N/A	mA
@24	30	30	30	30	30	30	30	N/A	mA

### Product Information

Product Lifetime:	10,000 hours (White) 50,000 hours (Red)
Operating Temperature:	0-60° C