

LL068

High Intensity Line Light

- Ai** Perfect for line scanning applications.
90,000 Lux @ 3"; 50,000 hours life
- Ai** Modular design in 6" increments up to 96"



Ordering Information

Standard Product:
Shipped Next Day

LL068

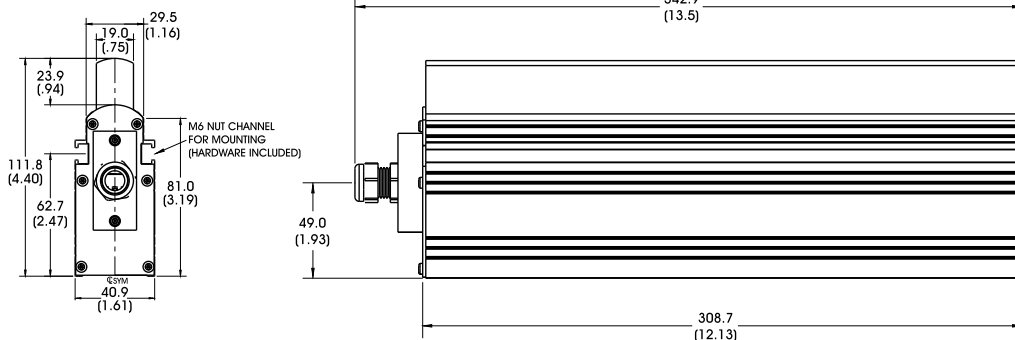
P/N: LL068-WHI24-002
Configured for use with user supplied 24v power supply.

Standard Product Variation:
Shipped Within Three Weeks

	Spectral wavelength		Optional power compatibility		Product Identifier	
LL068	-	XXX	-	XX	-	XXX
		(blue) 470†		12		###
		(green) 530†		24		
		(red) 625		C2		Individually assigned based on: length, LED color and lens.
		(white) WHI†		C3		Please call for part number and pricing.

C2 = Ai Connector
C3 = Pulsar Connector
†Not available in 12v

Dimensional Information



Cable Length: 1.5 Meter (59")

DIMENSIONS ARE IN MILLIMETERS (INCHES)

Standard Variation Current Specifications

Maximum draw per 152mm (6") length

	blue	green	yellow	orange	red	infra-red	white	RGB	
@12	N/A	N/A	N/A	N/A	1400	N/A	N/A	N/A	mA
@24	1400	1400	N/A	N/A	700	N/A	1400	N/A	mA

Standard Product Information

Product Lifetime:	50,000 hours
Operating Temperature:	0-60° C